

6

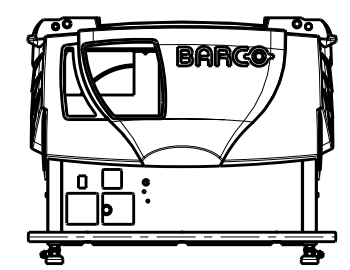
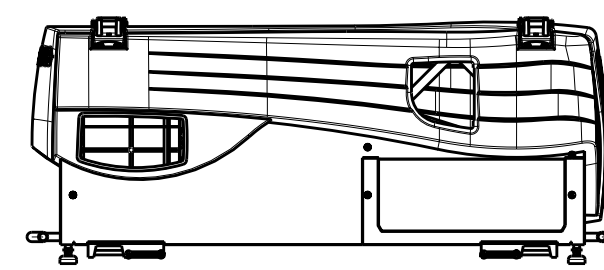
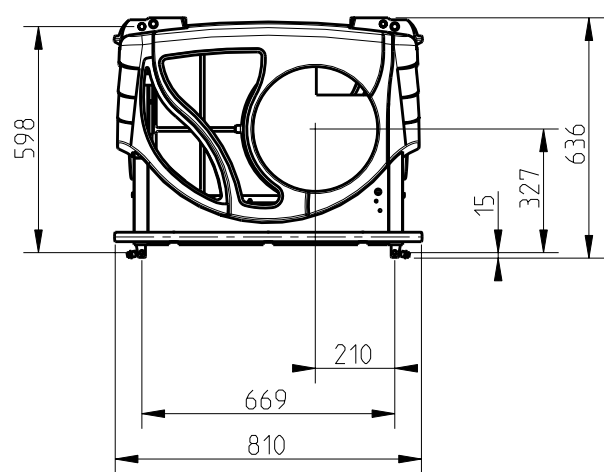
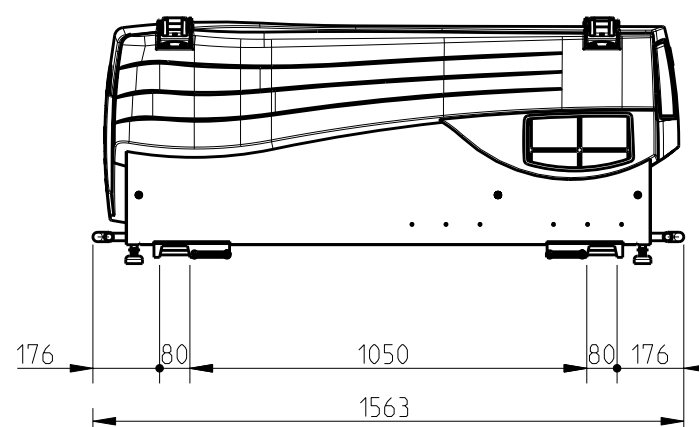
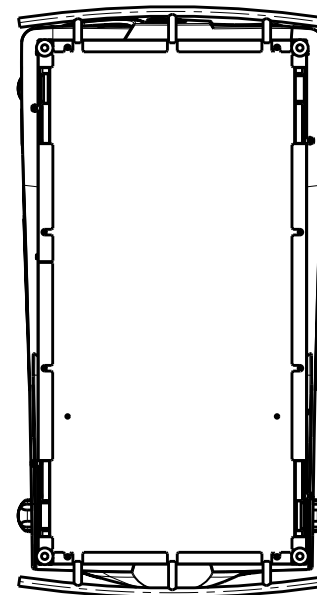
5

4

3

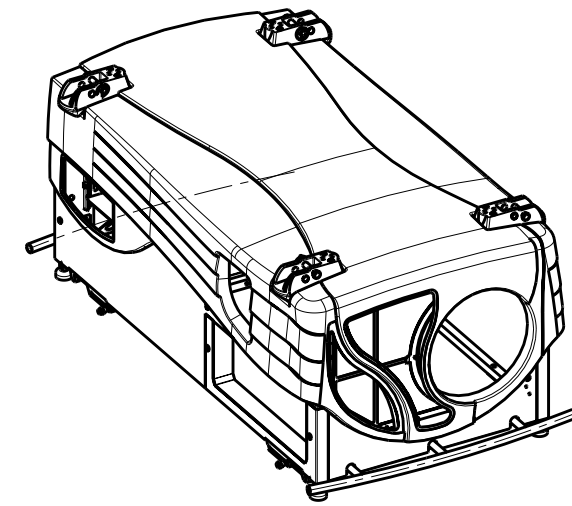
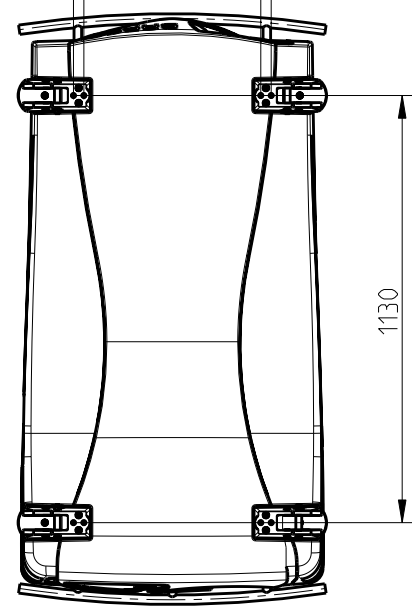
2

1



BARCO LABO
LABO ONTWERPEN
LABO
KWD
PROD.

27.5 468 27.5



PRELIMINARY B									
INDEX	ECN	MODIFICATION DESCRIPTION						DATE	NAME
TREATMENT AND FINISH				MATERIAL			DRAWN	17/07/03	STCU
							CHECKED		
GENERAL QUALITY CLASS		C : - - - - -		PROJ. EURO	SCALE	1/20	APPROVED		
EXCEPTIONAL QUALITY CLASS		: - - - - -		MM					
BARCO QUALITY STANDARD QAM 001				PHOTOGRAPHIC FILM ADDED	NO	CADDIR	pro/engineer		
***** = FUNCTIONAL DIMENSIONS TO CHECK				PART IN ACC. W. DIGITAL FILE	YES	UNFOLDED PART AVAILABLE	NO		
all important dimensions are mentioned on the drawing with the appropriate tolerance				PART NAME	XLM DIMENSIONS				
				PROJECT	XLM				
				CIPM DESCRIPTION					
BARCO				ALL RIGHTS STRICTLY RESERVED. REPRODUCTION OR ISSUE TO THIRD PARTIES IN ANY FORM WHATSOEVER IS NOT PERMITTED WITHOUT WRITTEN AUTHORITY FROM BARCO			R764417		AB
BARCO PROJECTION SYSTEMS							SHEET 1 OF 1		A3

6

5

4

3

2

1